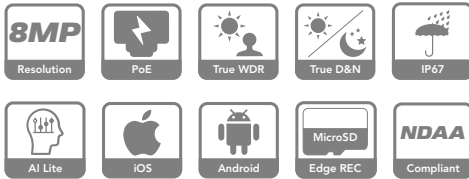


AVC-NCE81F28
8MP H.265 INFINITECOLOR TURRET CAMERA



InfiniteColor
 (Full Color Technology)



8MP H.265 INFINITECOLOR TURRET CAMERA

8MP H.265 INFINITECOLOR TURRET CAMERA

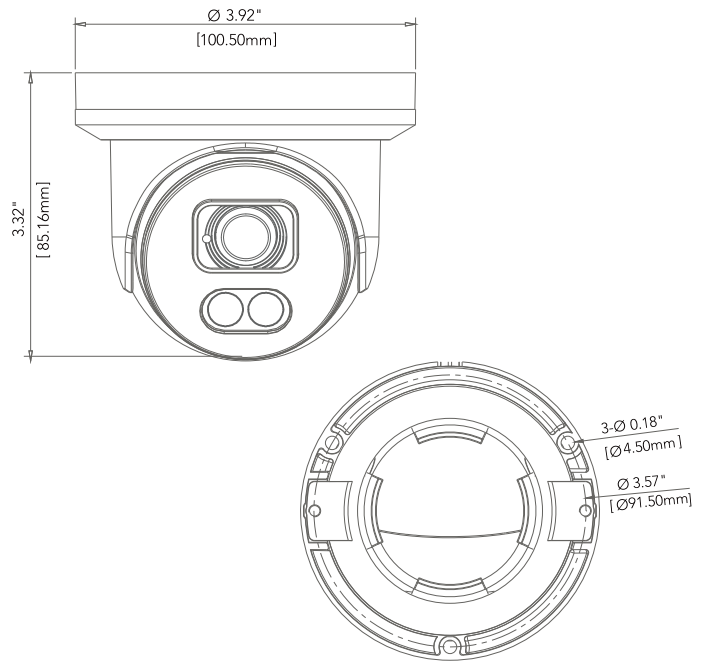
The AVYCON AVC-NCE81F28 camera is a 8MP H.265 Fixed Turret Camera. This 8MP IP camera supports True Day and Night mode, PoE, and up to 98ft. of Smart IR Illumination. It also incorporates AVYCON's InfiniteColor technology with the supplementation of a white floodlight, allowing videos to be viewed in color even in complete darkness. This camera includes a Fixed 2.8mm Lens. Also standard with this series is Digital NR, ROI, HLC, True WDR, and BLC capabilities. Optional accessories for this camera include a Junction Box Mount. Includes a MicroSD memory card slot for standalone recording applications.

FUNCTIONS

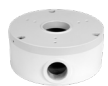
- 8MP (3840 x 2160) @ 20fps
- Max. Resolution: 3840 x 2160
- Supports Smart H.265/H.264 Encoding
- True Day & Night ICR
- Up to 98 ft. IR Illumination
- Fixed 2.8mm Lens
- 3D DNR, True WDR, HLC, BLC and ROI Encoding
- Supports Triple Streams
- Supports Remote Access with Windows, macOS, iOS and Android
- Operating Temperature: -22°F - 131°F
- DC12V / PoE (802.3af, ≤6W)
- Built-in MIC
- Built-in MicroSD Card Slot
- Built-in Reset Button
- NDA A Compliant

DIMENSIONS

Unit : inch (mm)



OPTIONAL ACCESSORIES



AVM-JB-BE-S1(-G)
 JUNCTION BOX



AVM-CWM-EV-S1
 WALL MOUNT



AVM-HWM-E-S1
 WALL MOUNT WITH
 JUNCTION BOX



AVM-HCM-E-S1
 CEILING MOUNT WITH
 JUNCTION BOX



AVM-CRM-A1
 CORNER MOUNT



AVM-POM-A1
 POLE MOUNT



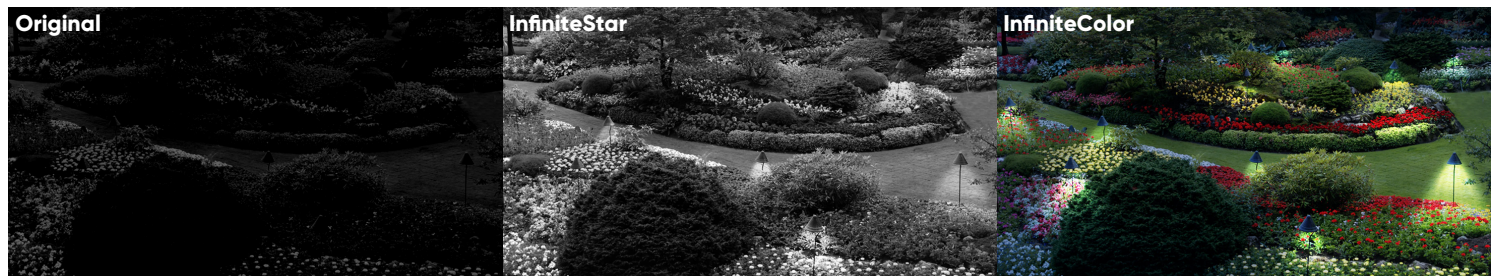
AVA-MICSPKSRN
 AUDIBLE AND VISUAL ALARM DEVICE

AVC-NCE81F28

8MP H.265 INFINITECOLOR TURRET CAMERA

SPECIFICATIONS

CAMERA	
Image Sensor	1/2.7" Progressive CMOS
Resolution	3840 x 2160 (8MP)
Min. Illumination	Color: 0.05lux @ F1.2 (AGC ON); BW: 0lux w/ IR ON
Min. Object Distance	6ft. (2m)
IR Distance	Up to 98ft. (30m)
Lens/Focal Length	2.8mm
Field of View	Horizontal:110°, Vertical:57.8°, Diagonal:131.6°
Shutter Speed	1/5s ~ 1/20,000s
Lens Type	M.12
VIDEO	
Max. Image Resolution	3840 x 2160 @ 20fps
Supported Resolutions	3840 x 2160, 3072 x 1728, 2592 x 1944, 2592 x 1520, 2304 x 1296, 1920 x 1080, 1280 x 720, 640 x 480, 320 x 240 @ 20fps
Main Stream	8MP, 5MP, 4MP, 3MP, 1080P, 960P, 720P
Sub Stream	720P, VGA, QVGA
Mobile Stream	VGA, QVGA
Video Compression	H.265 / H.264
Video Bit Rate	128 Kbps ~ 16 Mbps (CBR / VBR Adjustable)
Max. Frame Rate	50Hz: 20fps@8MP/5MP/4MP/3MP/2MP/960P/720P/VGA/QVGA, 60Hz: 20fps@8MP/5MP/4MP/3MP/2MP/960P/720P/VGA/QVGA
IMAGE	
IR LED	2
WarmLight	2
Day & Night	Ext / Color / B/W
Wide Dynamic Range	True WDR
Digital NR	Yes (3D DNR)
Backlight Compensation (BLC)	Off/On (5 Zone)
Gain Control	Auto
White Balance	Auto/Manual/Indoor
Motion Detection	Off/On (8 Level)
Private Masking	Off/On (4 Zone, Rectangle)
Flip / Mirror	Flip / Rotation
Complementary Lighting Types	Default Warm Light, Switchable Infrared Light
VIDEO ANALYTICS	
On-Board Storage	Micro SD Slot, Up to 1TB
Alarm	N/A
Audio	Built-In Microphone
Hardware Reset	Yes
Smart Features	PID (Intrusion Detection), LCD (Line Cross Detection), SOD (Sound Detection), PD/VD (Human & Vehicle Detection), CC (Cross Counting), CD (Crowd Density Detection), QD (Queue Length Detection), HM (Heat Map)
NETWORK	
Ethernet	RJ45(10/100BASE-T)
Protocol IPv4	TCP/IP,HTTP,DHCP,DNS,DDNS,RTP/RTSP,SMTP,NTP,UPnP,SNMP,HTTPS,FTP
Security	IP Address Filter; Complicated Password; Authenticated Username and Password
Streaming Method	Unicast/Multicast
User Access	Max 7 (Admin+User)
Application Interface	ONVIF(Profile S/G/T)
Web Viewer	IE8, 9, 10, 11, Chrome 44/lower, Firefox 51/lower, Safari 11/lower
GENERAL	
Input Voltage	DC 12V / PoE (802.3af)
Power Consumption	≤6W
Ingress Protection	IP67
Operating Temperature	-22°~131°F (-30°~55°Celsius)
Working Humidity	≤95%RH
Weight	0.7lbs
Dimensions	3.92" x 3.32" (100.5mm x 85.2mm)



AVYCON[®]

Copyright © AVYCON. All rights reserved. Specifications and pricing are subject to change without notice.

phone: 949-752-7606

email: info@avycon.com

social: @avycon_aivo

website: avycon.com